

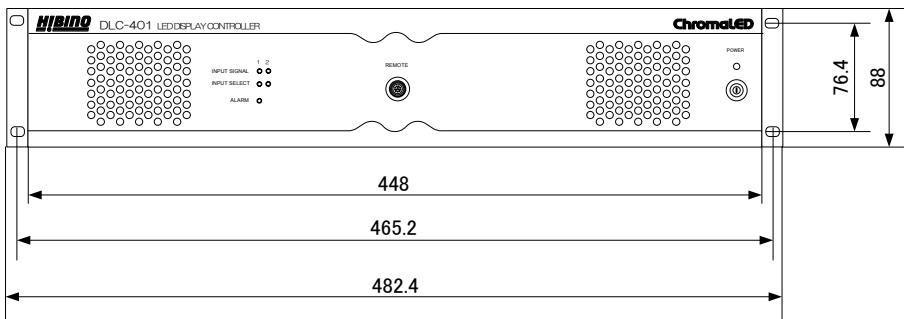
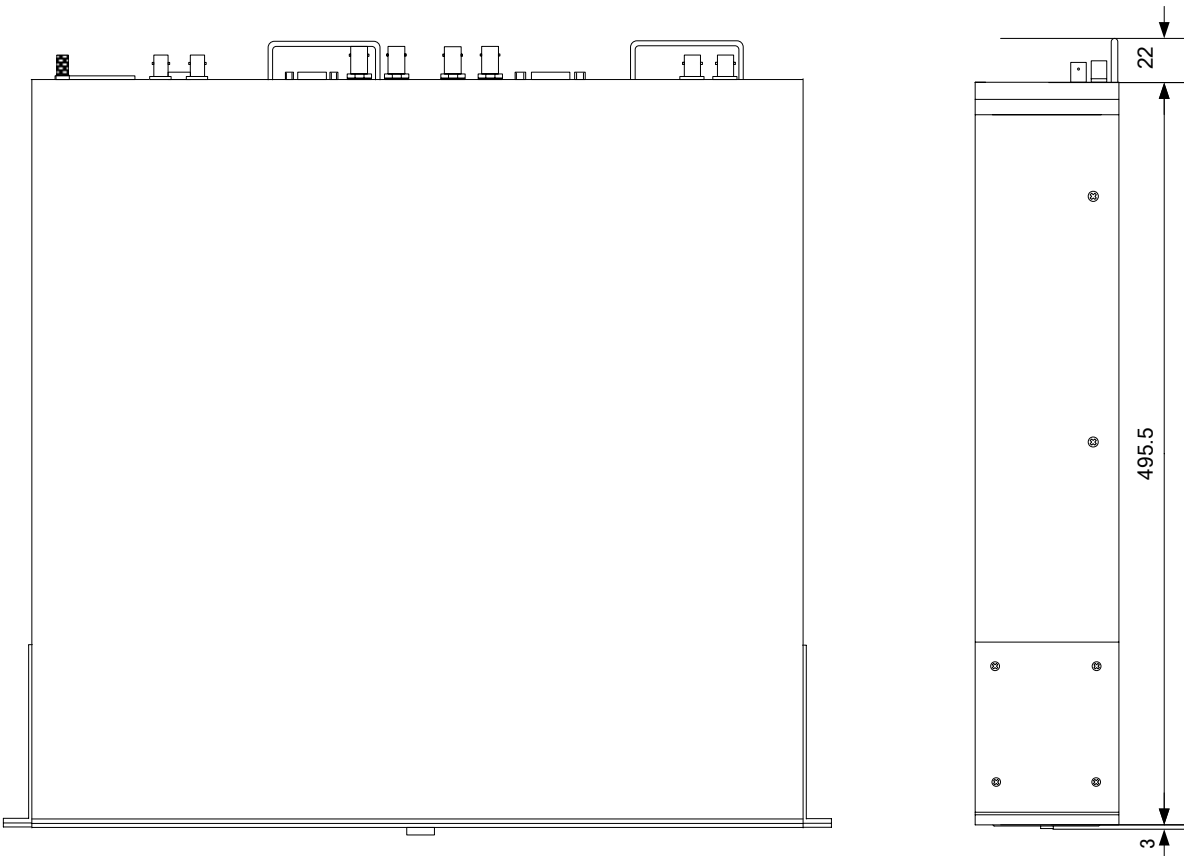
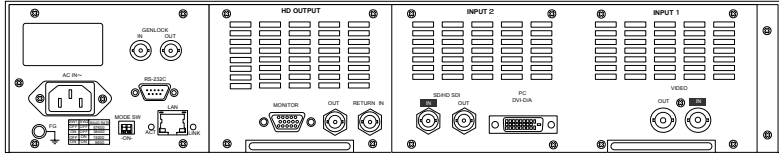
Specifications

Input signal	Video input	Video input board	[Composite] VBS 1.0Vp-p/75Ω 1 system (BNC connector) (Also supports NTSC/PAL nonstandard signals)
		SDI/DVI input board	[SDI] SD SDI (SMPTE 259M-C), or HD SDI (SMPTE 292M) 0.8Vp-p/75Ω 1 system (BNC connector) Active through output [Analog RGB] Horizontal sync frequency 20kHz~150kHz Vertical sync frequency 50Hz~150Hz Sampling clock 25MHz~165MHz Maximum resolution 2048×1080 • Video signal RGB:0.7Vp-p/75Ω • Sync signal Hs/Vs or Cs:0.5Vp-p to 2Vp-p/75Ω, or TTL Polar auto discrimination Sync on Green:0.3Vp-p/75Ω 1 system (DVI-I connector) [DVI] T.M.D.S. signal 1 system (DVI-I connector) Maximum resolution 2048×1080
	Genlock	A standard signal for output framelocks NTSC BB/PAL BB:0.3Vp-p/75Ω (SYNC level), or HD tri-level sync (60Hz/59.94Hz/50Hz):0.6Vp-p/75Ω 1 system (BNC connector) Active through output (when there is no input to the IN jack, an HD tri-level sync signal in the 1080p 60Hz/59.94Hz/50Hz is output)	
	SDI return signal	An SDI return signal including various information Equivalent HD-SDI (original format) 1 system (BNC connector)	

Output signal	SDI	Equivalent HD-SDI (original format) 1024 horizontal dots × 768 lines of video output possible with one line Greatest transmission distance to SDTA : 100m (75 Ω Coaxia Cable When I used 5C-FB) Frame delay (Input~Till an LED screen displays it) : 3~4FRAME
	Monitor output	The signal output for external monitors of the picture output The possibility that a white frame highlight displays an area to display to an LED display I can output a picture input into an SDI return terminal XGA (1024 horizontal dots × 768 vertical lines) 60Hz/59.94Hz/50Hz (I obey an output format) · Video signal R,G,B:0.7Vp-p/75 Ω · Sync signal Hs,Vs:TTL 1 system (Mini D-sub 15pin)
External control	RS-232C	1 system (D-sub 9-pin male)
	LAN	Interface 10BASE-T/100BASE-TX Protocol TCP/IP 1 system (8-pin RJ-45 modular connector)
	Remote	Can be controlled with supplied remote controller 1 system (12-pin round connectors female) DC22.8V 0.45A
General specifications	Rated voltage	AC100V~AC240V 50Hz/60Hz
	Input tolerance	AC90V~AC250V
	Maximum power	Standard approx. 90W
	Mechanical Dimentions	428(W)mm×88(H)mm×495.5(D)mm (Not including protrusions) Can be installed on EIA standard rack (2U)
	Weight	Standard approx. 12kg
	Use conditions	Ambient temperature range 0°C~40°C Relative humidity range 30%RH~80%RH (no condensation)

Mechanical dimentions

DLC-401 LED DISPLAY CONTROLLER



unit:mm